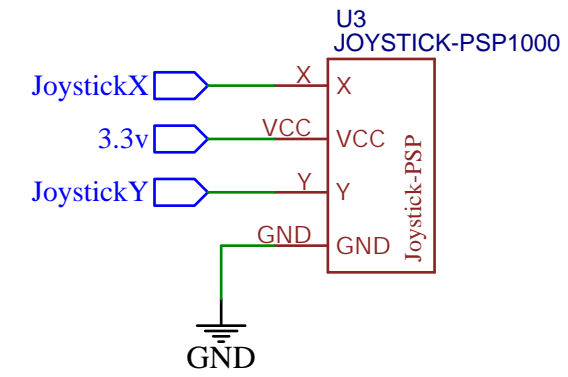
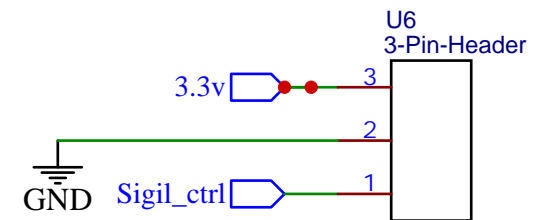
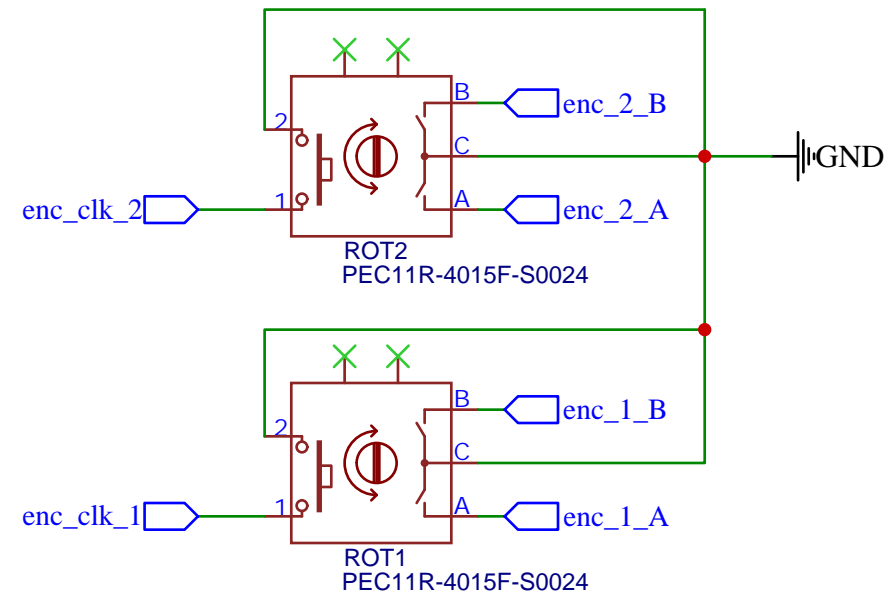
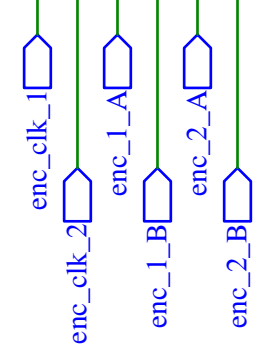
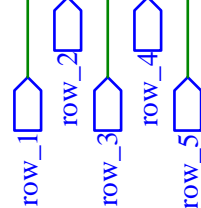
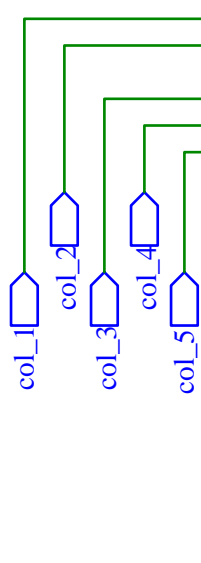
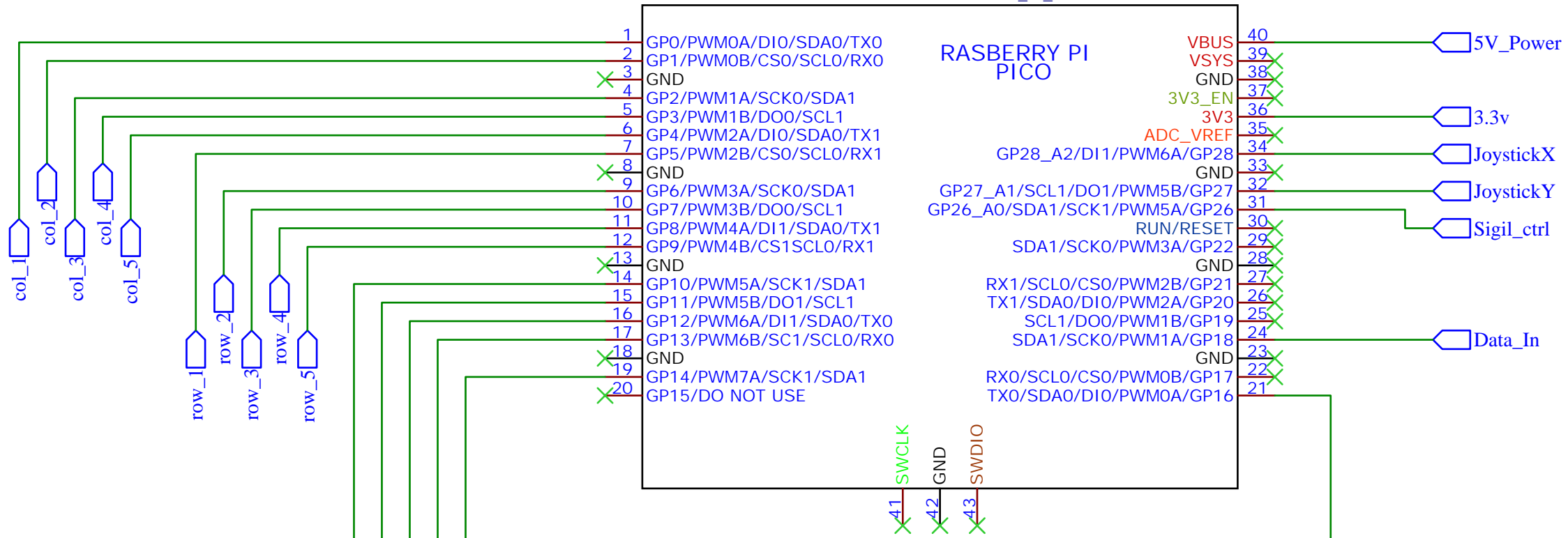
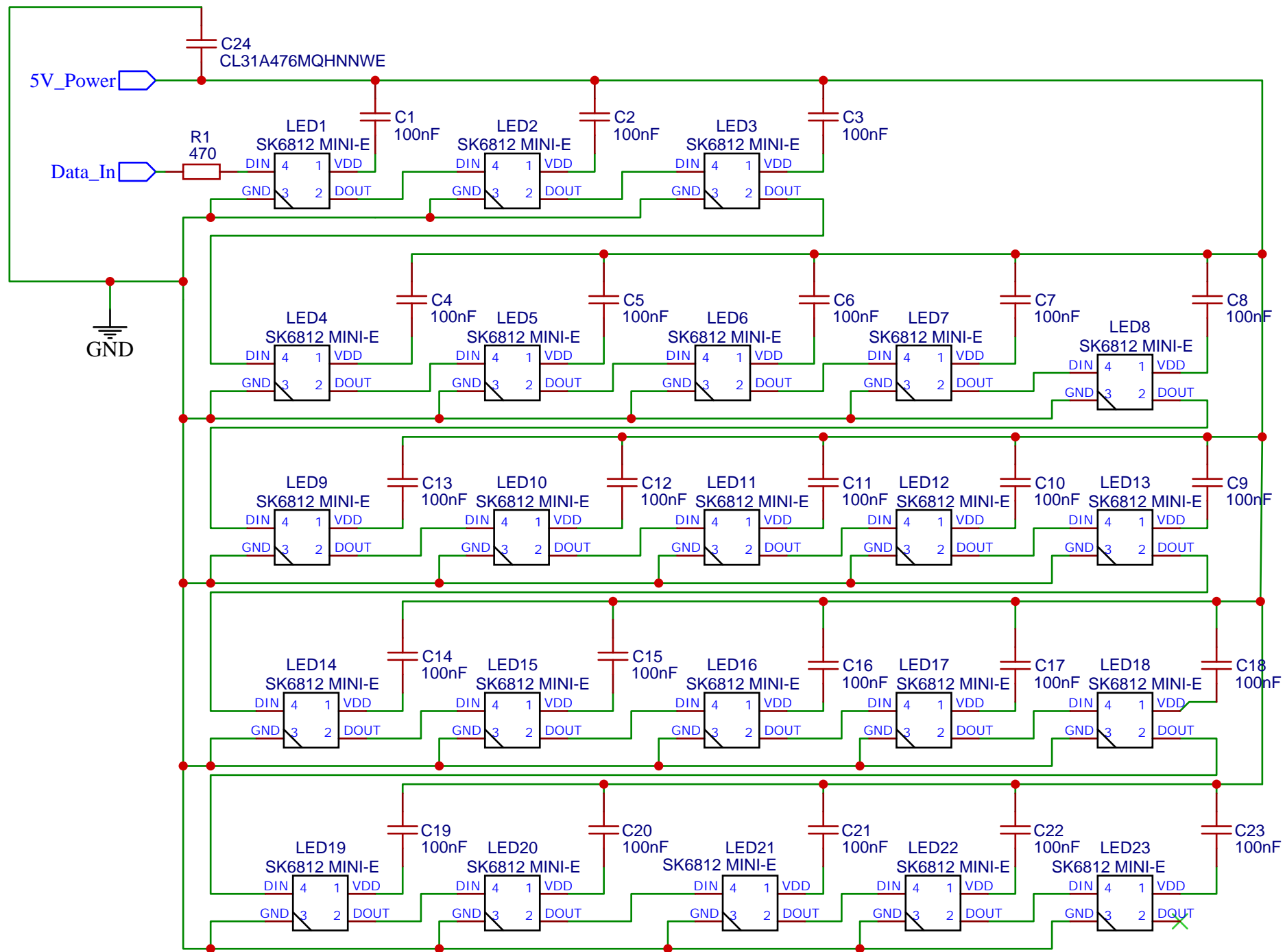


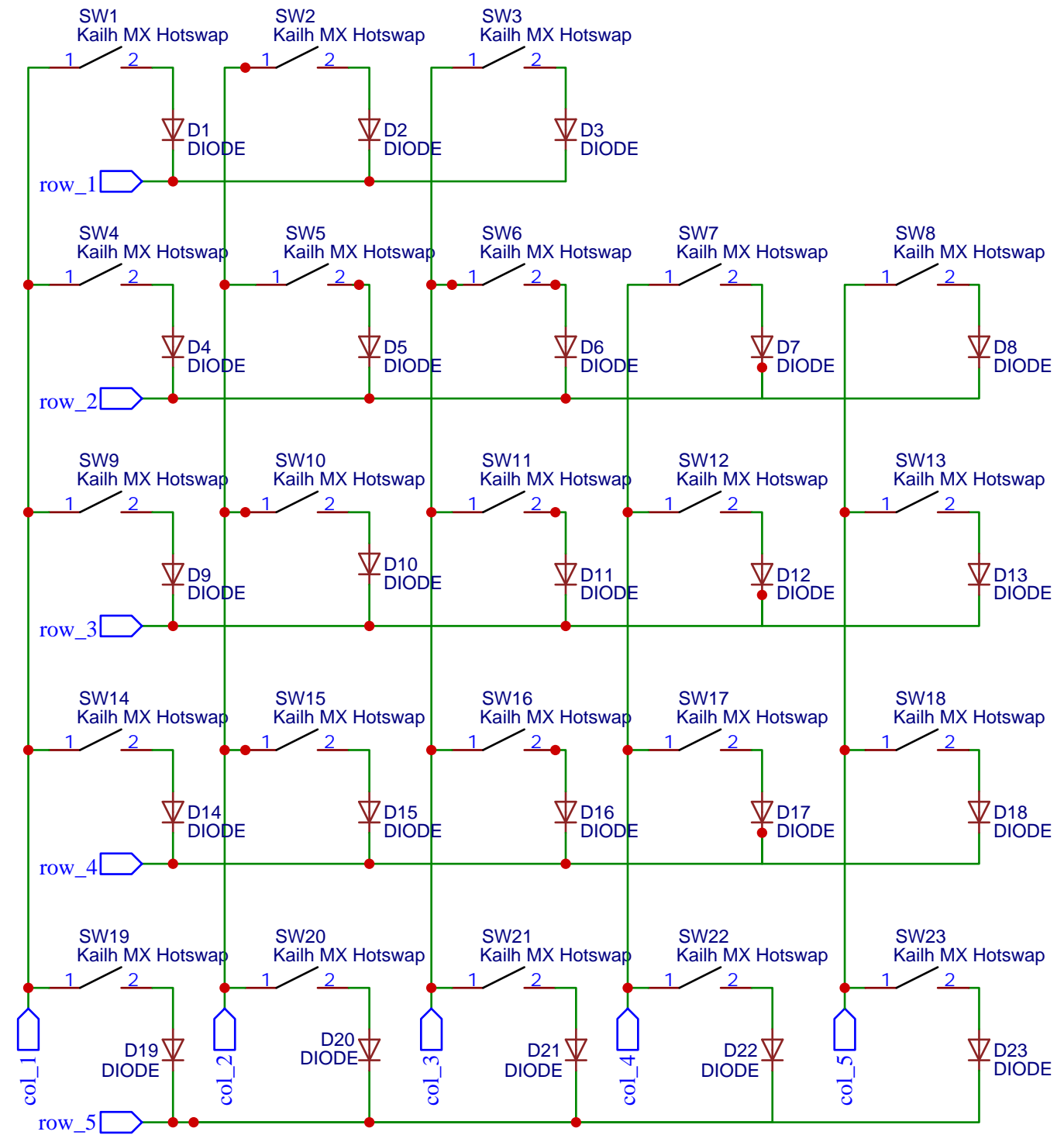
M1
RASBERRY_PI_PICO



TITLE: Grimoire Macropad		REV: 2.0
Company: Dubious		Sheet: 1/3
Date: 2023-05-18	Drawn By: MrPendent	



TITLE: Grimoire: In-Switch LEDs		REV: 2.0
Company: Dubious		Sheet: 2/3
Date: 2023-05-18		Drawn By: mrpendent



TITLE: Grimoire: Key Matrix		REV: 2.0
Company: Dubious		Sheet: 3/3
Date: 2023-05-18		Drawn By: mrpendent